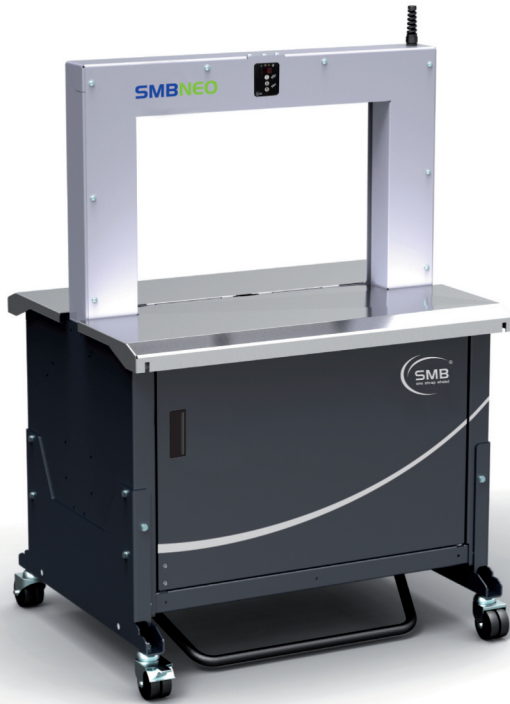


The NEW CLASS for Automatic strapping machine

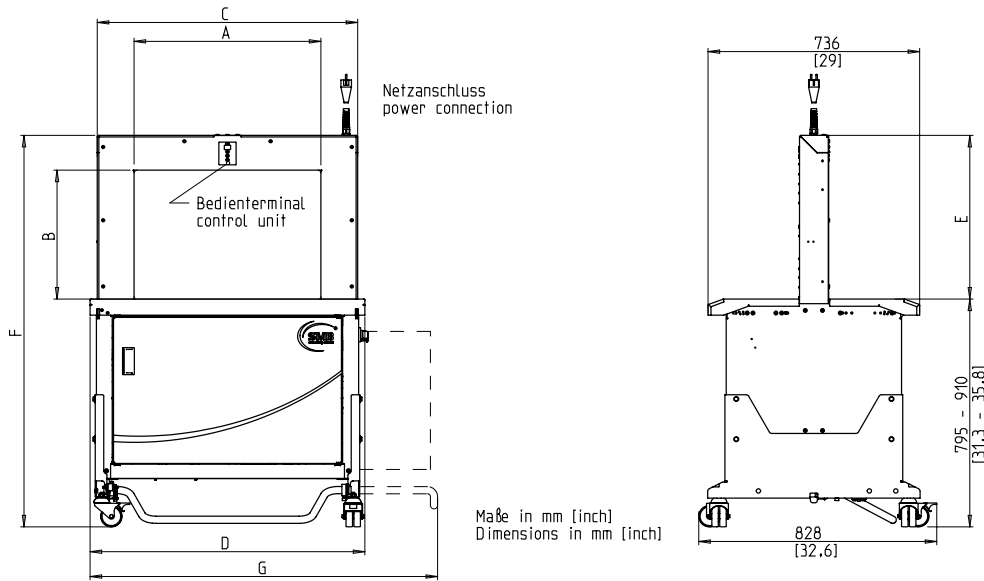


- User-friendly and intuitive
- Economical owing to highest availability
- Robust and extremely low maintenance
- Powerful
- Variable strap width

### EQUIPMENT:

- 60 cycles per minute, with High-Speed Kit (optional)
- ASLF 'Anti-Strap-Loss-Function' Constant strap control
- Automatic cycle start by tabletop sensor (optional)
- Automatic Strap feed
- Strap width 5 - 12 mm, either
- Strap end detection system with automatic discharge of remaining strap
- Automatic strap tensioning (optional)
- Coil holder inside (either externally)
- Operation Terminal with Soft-Button
- DAT 'Direct-Access-Technology'
- The exclusive eject function avoids strap jam
- Torque controlled strap tension, adjustable
- Single-Copy-Strap
- Foot-bar at the operator side
- Machine movable
- MFT 'Mono-Frame-Technology'
- Power connection top (either bottom)
- Table height steplessly adjustable
- Table top front hinged by 270 °, removable
- Wear-free, energy saving direct-drive-motors
- Low maintenance and low wear strap arch
- Many specific options available, easily configurable

# SMB NEO



Arch Size WxH		600 x 400	600 x 600	800 x 400	800 x 600	800 x 800	1250x600	1250x800	1250x1250	1650x600
Order number		x28000	x28005	x28009	x28006	x28007	x44880	x47658	x51103	x47900
Total length	D	956	~ 956	~ 1156	~ 1156	~ 1156	~ 1700	~ 1700	~ 1700	~ 2100
Total length + Coil	G	1210	~ 1210	~ 1410	~ 1410	~ 1410	~ 1954	~ 1954	~ 1954	~ 2354
Total height	F	~1365 - 1485	~1565-1685	~1365 - 1485	~1565-1685	~1765-1885	~1565-1685	~1765-1885	~2252-2367	~1565-1685
Inner width (arch)	A	~ 650	~ 650	~ 850	~ 850	~ 850	~ 1400	~ 1400	~ 1400	~ 1800
Arch width	C	~ 910	~ 910	~ 1110	~ 1110	~ 1110	~ 1700	~ 1700	~ 1700	~ 2100
Inner height (arch)	B	~ 448	~ 648	~ 448	~ 648	~ 848	~ 648	~ 848	~ 1300	~ 648
Arch height	E	~ 573	~ 773	~ 573	~ 773	~ 973	~ 773	~ 973	~ 1421	~ 773
Table height with casters		795-910	795-910	795-910	795-910	795-910	831-946	831-946	831-946	831-946
Weight in kg		180	185	195	200	205	260	265	275	295
max. bundle width		600	600	800	800	800	1250	1250	1250	1650
max. bundle height		400	600	400	600	800	600	800	1250	600

## TECHNICAL SPECIFICATION:

### CAPACITY:

Single strap, bundles/minute up to:  
Depending on arch size and tension force

55

### BUNDLES:

Width in mm  
Min.:  
Max. bundle width depending on arch size  
Height in mm  
Min.:  
Max. bundle height depending on arch size  
(see drawing)  
Weight in kg  
Max.:

55

5

30

### STRAP TENSION:

Adjustable with 10 steps  
Automatic strap tensioning  
Tension at bundle in N  
Max.:

325

### STRAPPING MATERIAL:

Polypropylene DIN EN 13 394  
Width in mm:  
Thickness in mm:

5 - 12  
0,4 - 0,65

### SEALING METHOD:

Heat seal. Tensile strength of welded joint is approx. 80% of the breaking strength of the strap

### STRAP COIL:

Core ID in mm: 200 - 228  
Core OD in mm: 420  
Width in mm: 160 - 190

### POWER SUPPLY:

Wide Range Input 100-240V, 1AC; 47-63 Hz  
Maximum fusing 16A (B-character)  
Protection Type: IP 22

### POWER CONSUMPTION:

Power consumption in kW approx.: 0,2

### OPERATING CONDITIONS:

Temperature range in °C [°F]: +5 [41] - +45 [113]



**SMB SCHWEDE MASCHINENBAU GMBH**  
Markgrafenstraße 2 | D-95497 Goldkronach | Germany  
Tel.: +49 (0) 9273 / 982-201 | Fax.: +49 (0) 9273 / 982-100  
[www.smb.biz](http://www.smb.biz) | [sales@smb.biz](mailto:sales@smb.biz)

