

The fully automatic machine for universal use

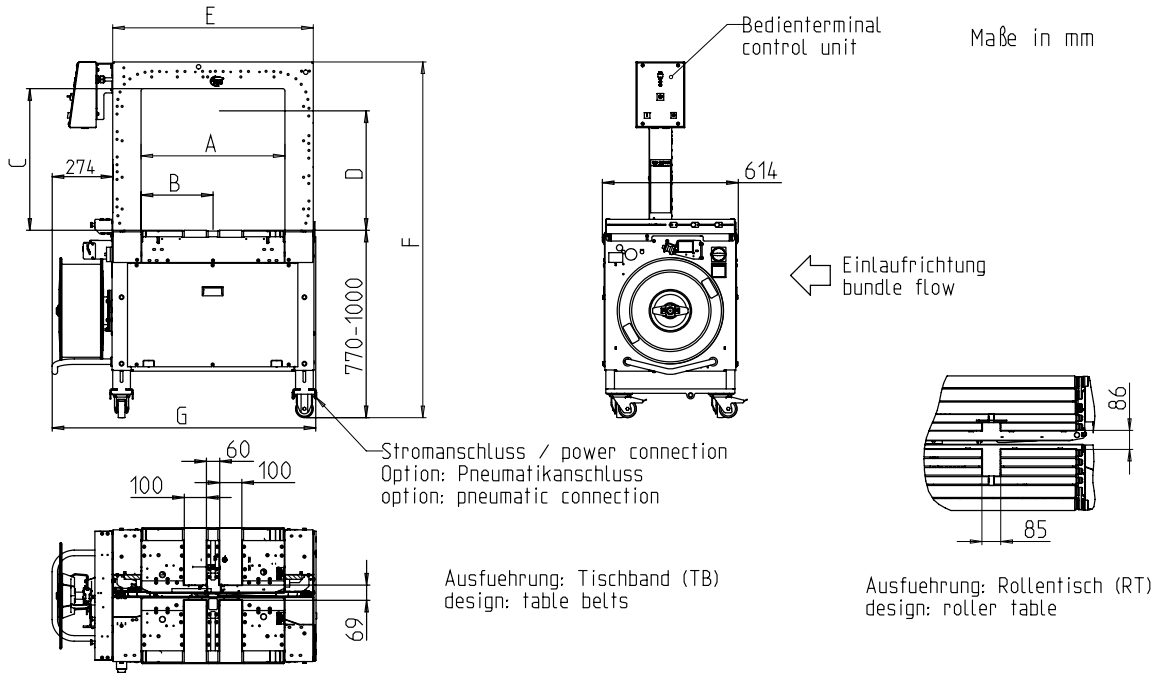


- Economical owing to highest availability
- Robust and extremely low maintenance
- Easy handling
- Minimum space requirement
- **Best cost / benefit ratio**

## EQUIPMENT:

- ASLF 'Anti-Strap-Loss-Function' Constant strap control
- Automatic Strap feed
- Strap width 5 - 12 mm, either
- DAT 'Direct-Access-Technology'
- The exclusive eject function avoids strap jam
- Torque controlled strap tension, adjustable
- Upstream and downstream interlocks
- Conveyor speed steplessly adjustable
- For use with PP and PET strap
- GreenTech energy concept, low power consumption
- High-Speed-Kit, optional
- Intuitive operator interface
- Machine movable
- MFT 'Mono-Frame-Technology'
- Bundle press, optional
- SAO 'Safe and Open' - Safe without protection doors
- Table height steplessly adjustable
- Bundle flow control
- Wear-free, energy saving direct-drive-motors
- Low maintenance and low wear strap arch
- Quality standard equipment
- **Many specific options available, easily configurable**

# SMB CUBE



Arch Size WxH		600x400	600x500	600x600	800x600	800x600	800x600	800x800	800x800	800x800
Sealing head centered		X	X	X	X	-	-	X	-	-
Sealing head off-centered		-	-	-	-	amv/ocf	amh/ocb	-	amv/ocf	amh/ocb
Order number		x36700	x41284	x36000	x36600	x37600	x49625	x36800	x38800	x49626
Total length + Coil	G	1200	1200	1200	1400	1400	1400	1400	1400	1400
Total height	F	1340-1570	1340-1570	1540-1770	1540-1770	1540-1770	1540-1770	1740-1970	1740-1970	1740-1970
Position sealing head	B	325	325	325	425	300	550	425	300	550
Inner width (arch)	A	650	650	650	850	850	850	850	850	850
Arch width	E	910	910	910	1110	1110	1110	1110	1110	1110
Inner height (with press)	D	305	405	505	505	505	505	705	705	705
Inner height (arch)	C	440	540	640	640	640	640	840	840	840
Weight in kg		270	280	290	310	310	310	330	330	330

## TECHNICAL SPECIFICATION:

### CAPACITY:

Single strap, bundles/minute up to: max. 35  
 At table belt speed in m/s: 0,8  
 Based on bundle size l x w in mm: 300 x 210  
 Depending on arch size and tension force  
 Without bundle press

### BUNDLES:

Width in mm  
 Min.: 100  
 Max. bundle width depending on arch size  
 Length in mm: min. 140  
 Height in mm  
 Min.: 5  
 Max. bundle height depending on arch size  
 (see drawing)  
 Weight in kg: max. RT 50, TB 30

### TRANSPORT SPEED:

m/s: 0,20 - 1,00

### STRAP TENSION:

Adjustable with 10 steps  
 Automatic strap tensioning  
 Tension at bundle in N: max. 325

### STRAPPING MATERIAL:

Polypropylene DIN EN 13 394  
 Width in mm: 5 - 12  
 Thickness in mm: 0,4 - 0,65

### SEALING METHOD:

Heat seal. Tensile strength of welded joint is approx. 80% of the breaking strength of the strap

### STRAP COIL:

Core ID in mm: 200  
 Core OD in mm: 420  
 Width in mm: 190 (160,180,200)

### POWER SUPPLY:

Wide Range Input 100-240V, 1AC; 47-63 Hz  
 Wide Range Input 380-520V, 3AC; 47 63 Hz: optional  
 Maximum fusing 16A (B-character)  
 Protection Type: IP 22

### POWER CONSUMPTION:

Power consumption in kW approx.: 0,30

### OPERATING CONDITIONS:

Temperature range in °C [°F]: +5 [41] - +45 [113]



**SMB SCHWEDE MASCHINENBAU GMBH**  
 Markgrafenstraße 2 | D-95497 Goldkronach | Germany  
 Tel.: +49 (0) 9273 / 982-201 | Fax.: +49 (0) 9273 / 982-100  
[www.smb.biz](http://www.smb.biz) | [sales@smb.biz](mailto:sales@smb.biz)

