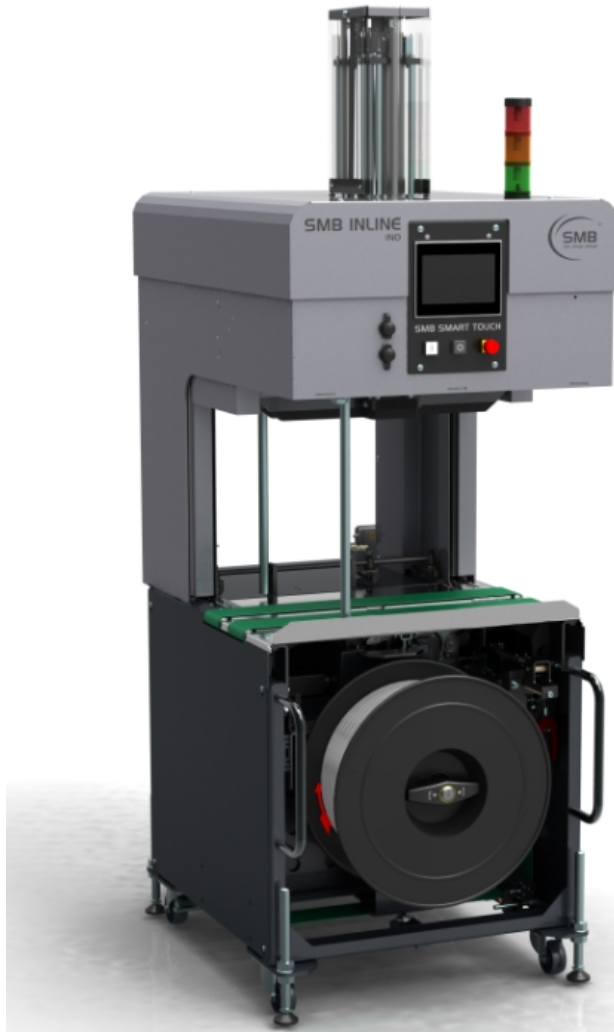




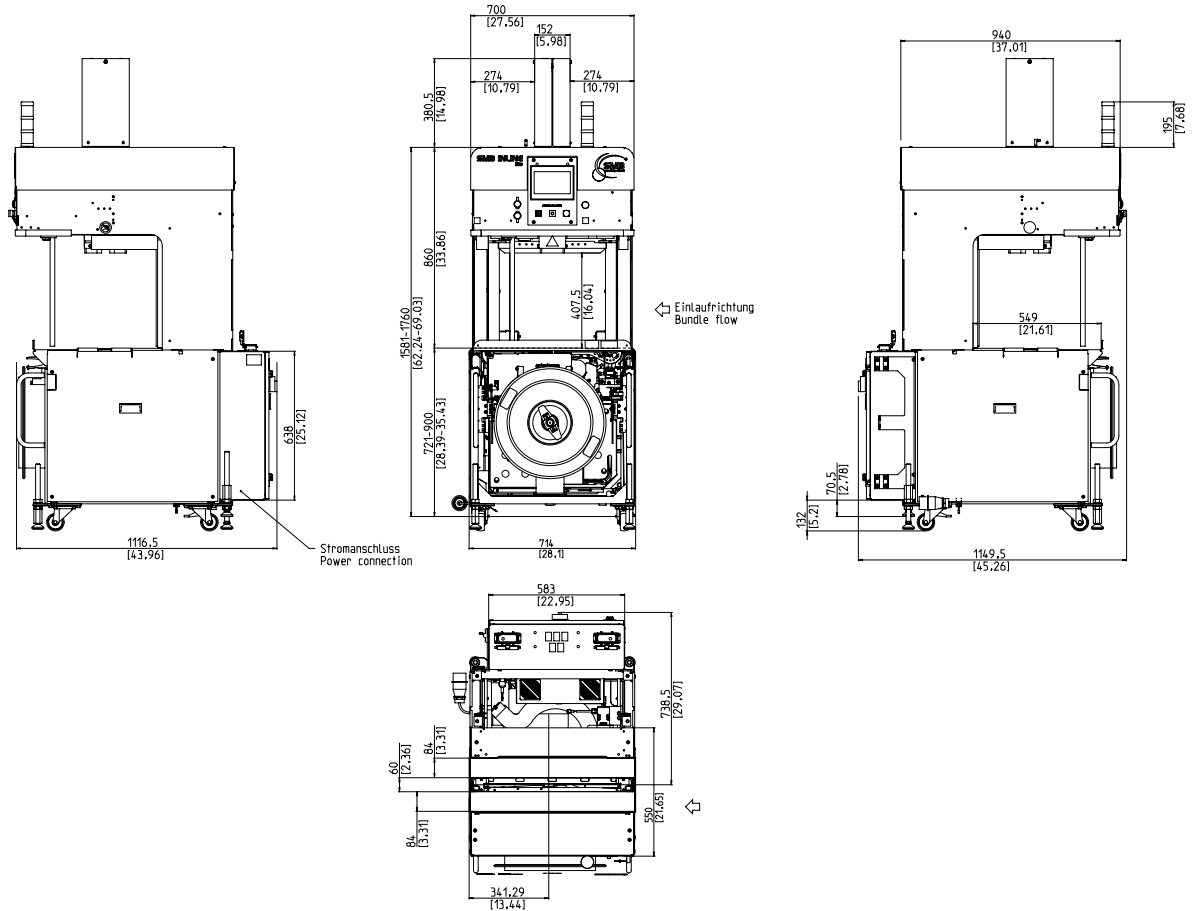
The inline strapper with the availability of a square strapper



- Economical owing to highest availability
- Variable strap width
- Optimal access
- Intrinsically safe machine, protection door-less concept
- Unique, the lateral strapper principle in the inline strapper

### EQUIPMENT:

- ASLF 'Anti-Strap-Loss-Function' Constant strap control
- Strap width 5 - 9 mm, adjustable
- Automatic strap threading, soft
- Strap end detection system with automatic discharge of remaining strap
- Automatic strap tensioning, stepless
- Strap coil detection with yellow indicator lamp
- DAT 'Direct-Access-Technology'
- The exclusive eject function avoids strap jam
- Torque controlled strap tension, adjustable
- Upstream and downstream interlocks with complete plug connection
- ETS 'Easy to Service' - Maintenance while production
- Conveyor speed steplessly adjustable
- GreenTech energy concept, low power consumption
- Bundle stops, optional
- Bundle press, optional
- Production data analysis via Ethernet/USB
- SAO 'Safe and Open' - Safe without protection doors
- SMART TOUCH – Icon control concept
- Wear-free, energy saving direct-drive-motors
- Wear-free Strap-frame by stainless steel guide



## TECHNICAL SPECIFICATION:

### CAPACITY:

Single strap, bundles/minute up to:	32
At table belt speed in m/s:	1
Based on bundle size l x w in mm:	300 x 210
Depending on tension force	

### BUNDLES:

Width in mm:	150 - 420
Length in mm:	150 - 420
Height in mm:	10 - 400
Weight in kg:	max. 25

### TRANSPORT SPEED:

m/s:	0,20 - 1,00
------	-------------

### STRAP TENSION:

Steplessly adjustable	
Automatic strap tensioning, stepless, depending on height of bundle	
Tension at bundle in N:	max. 325
Tension path in mm:	max. 200

### STRAPPING MATERIAL:

Polypropylene DIN EN 13 394	
Width in mm:	5 - 9
Thickness in mm:	0,4 - 0,55

### SEALING METHOD:

Heat seal. Tensile strength of welded joint is approx. 80% of the breaking strength of the strap

### STRAP COIL:

Core ID in mm:	200
Core OD in mm:	420
Width in mm:	190 (160,180,200)

### POWER SUPPLY:

Wide Range Input 380-520V, 3AC; 47 63 Hz	
Maximum fusing 16A (B-character)	
Protection Type:	IP 54

### POWER CONSUMPTION:

Total consumption approx. in kW:	0,40
----------------------------------	------

### WEIGHT:

Total weight approx. in kg:	450
-----------------------------	-----

### OPERATING CONDITIONS:

Temperature range in °C [°F]:	+5 [41] - +45 [113]
-------------------------------	---------------------