

The most variable fully automatic strapping machine

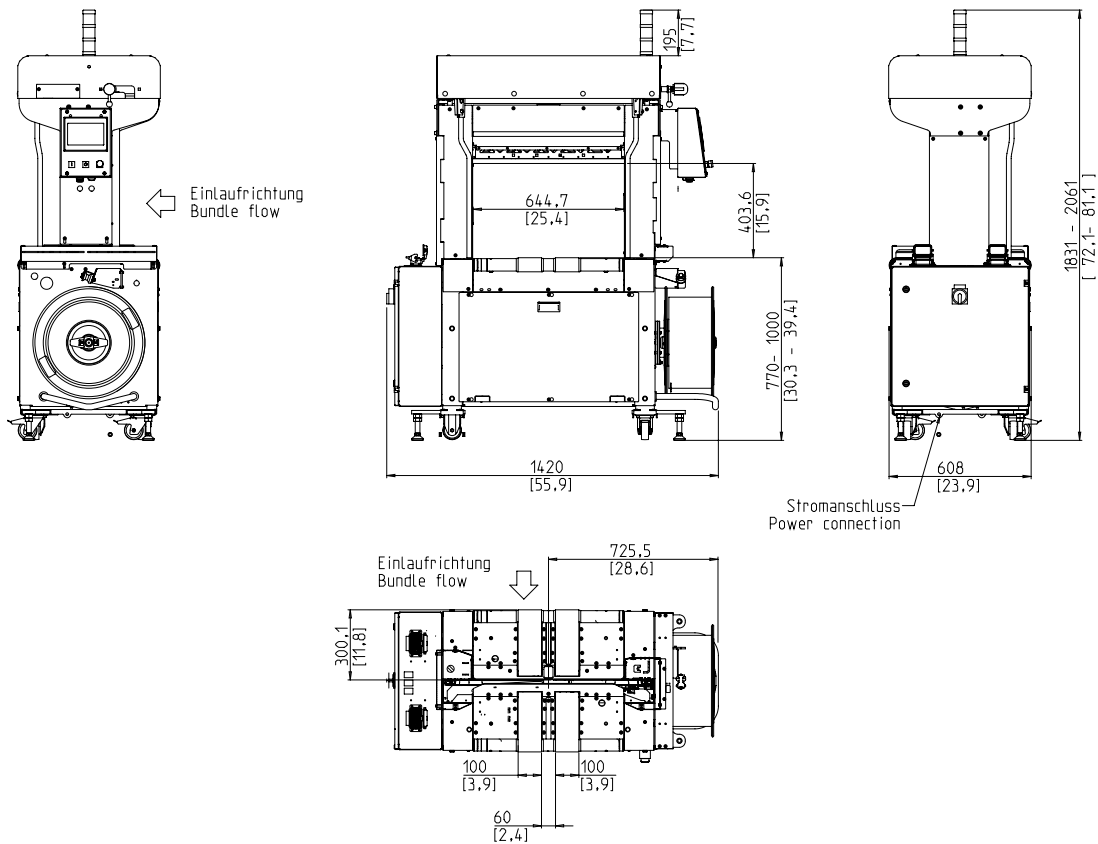


- User-friendly and intuitive
- Economical owing to highest availability
- Robust and extremely low maintenance
- Powerful
- Maximum flexibility & adaptability

### EQUIPMENT:

- ASLF 'Anti-Strap-Loss-Function' Constant strap control
- Strap width 5 - 9 mm, adjustable
- Automatic strap threading, soft
- Strap end detection system with automatic discharge of remaining strap
- Automatic strap tensioning, stepless
- Strap coil detection with yellow indicator lamp
- DAT 'Direct-Access-Technology'
- The exclusive eject function avoids strap jam
- Torque controlled strap tension, adjustable
- Upstream and downstream interlocks with complete plug connection
- Conveyor speed steplessly adjustable
- GreenTech energy concept, low power consumption
- MFT 'Mono-Frame-Technology'
- Bundle stops, optional
- Bundle press, optional
- Production data analysis via Ethernet/USB
- SAO 'Safe and Open' - Safe without protection doors
- SMART TOUCH – Icon control concept
- Wear-free, energy saving direct-drive-motors
- Wear-free Strap-frame by stainless steel guide

# SMB PRO



## TECHNICAL SPECIFICATION:

### CAPACITY:

Single strap, bundles/minute up to:	36
At table belt speed in m/s:	0,8
Based on bundle size l x w in mm:	300 x 210
Depending on arch size and tension force	
Without bundle press	

### BUNDLES:

Width in mm	
Min.:	100
Max.:	600
Length in mm:	min. 150
Height in mm	
Min.:	5
Max.:	400
(see drawing)	
Weight in kg:	max. 25

### TRANSPORT SPEED:

m/s:	0,20 - 1,00
------	-------------

### STRAP TENSION:

Steplessly adjustable	
Automatic strap tensioning, stepless, depending on height of bundle	
Tension at bundle in N:	max. 325
Tension path in mm:	max. 200

### STRAPPING MATERIAL:

Polypropylene DIN EN 13 394	
Width in mm:	5 - 9
Thickness in mm:	0,4 - 0,65

### SEALING METHOD:

Heat seal. Tensile strength of welded joint is approx. 80% of the breaking strength of the strap

### STRAP COIL:

Core ID in mm:	200
Core OD in mm:	420
Width in mm:	190 (160,180,200)

### POWER SUPPLY:

Wide Range Input 380-520V, 3AC; 47 63 Hz	
Maximum fusing 16A (B-character)	
Protection Type:	IP 54

### POWER CONSUMPTION:

Total consumption approx. in kW:	0,35
----------------------------------	------

### WEIGHT:

Total weight approx. in kg:	380
-----------------------------	-----

### OPERATING CONDITIONS:

Temperature range in °C [°F]:	+5 [41] - +45 [113]
-------------------------------	---------------------



**SMB SCHWEDE MASCHINENBAU GMBH**  
 Markgrafenstraße 2 | D-95497 Goldkronach | Germany  
 Tel.: +49 (0) 9273 / 982-201 | Fax.: +49 (0) 9273 / 982-100  
 www.smb.biz | sales@smb.biz

