



The universally applicable 90° angle conveyor

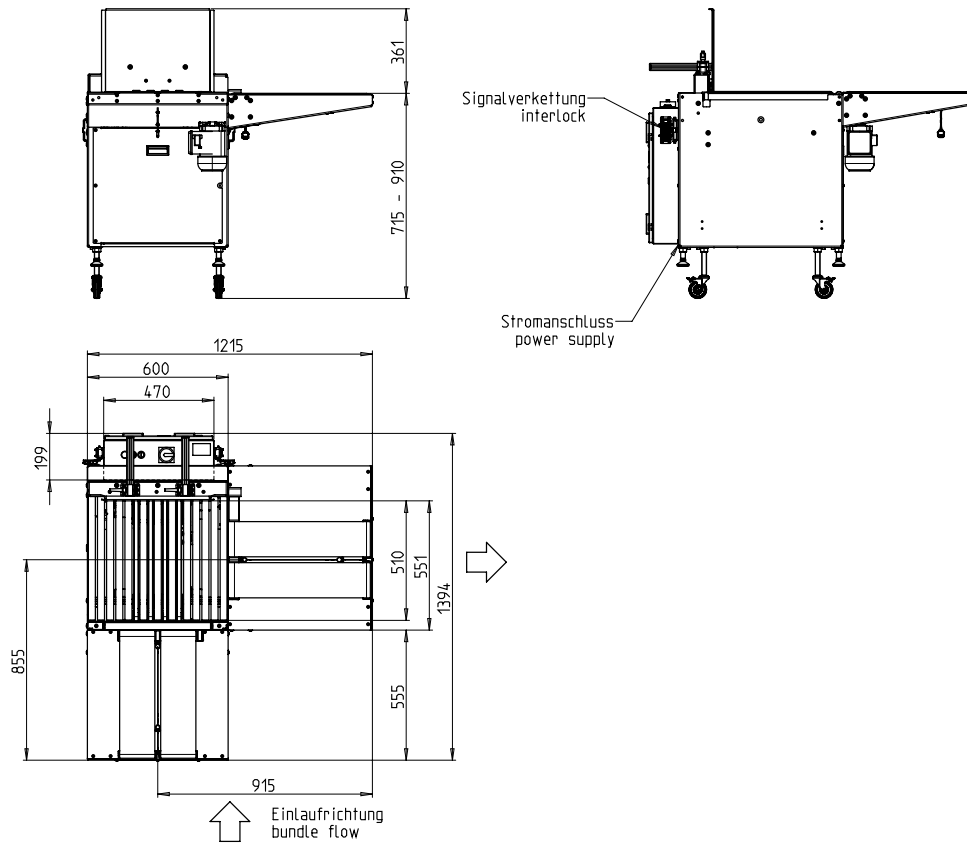


- Two accumulation places für high speed
- Low maintenance
- Low wear
- Very quiet operation
- Also without accumulation areas possible

EQUIPMENT:

- Upstream and downstream interlocks
- Settings by intuitive operating terminal
- In conveying direction left or either right
- Machine movable
- Power cable, length 3m
- OPTIONAL: One pop-out roller on entry side
- PLC control
- Table height steplessly adjustable
- Many specific options available, easily configurable

SMB EF2



TECHNICAL SPECIFICATION:

CAPACITY:

Bundles/minute:	35
At table belt speed in m/s:	1,3

BUNDLES:

Width in mm:	100 - 450
Length in mm:	100 - 450
Height in mm:	7 - 350
Max. bundle height smaller than bundle width	
Weight in kg:	max. 25

TRANSPORT SPEED:

m/s:	0,3 - 1,3
------	-----------

POWER SUPPLY:

200-440V; 3 AC; 50Hz;
Special voltages available on request
TN and TT network

POWER CONSUMPTION:

Power consumption in kW approx.:	0,6
----------------------------------	-----

WEIGHT:

Total weight approx. in kg:	200
-----------------------------	-----

OPERATING CONDITIONS:

Temperature range in °C [°F]:	+5 [41] - +45 [113]
-------------------------------	---------------------